

**TECHN. DATEN (TECHNICAL DATA):**

NENNDRUCK (NOMINAL PRESSURE)  $P_N$  ..... 70 MPa (700bar)  
 PRÜFDRUCK (TEST PRESSURE)  $P_P$  ..... 84 MPa (840bar)  
 GEWICHT (WEIGHT) ..... 16,6 kg  
 (INKL. 0,3m SCHLÄUCHE U. KUPPLUNGEN; INCL. 0,3m HOSES AND COUPLINGS)  
 ÖLBEDARF (REQUIRED OIL VOLUME) ..... 0,1 l

**Schneidklasse (CUTTING CLASS):**

EN 13204 ..... CC218I-16,6 (1I-2K-3I-4K-5J)  
 NFPA 1936 ..... A7-B8-C7-D8-E9

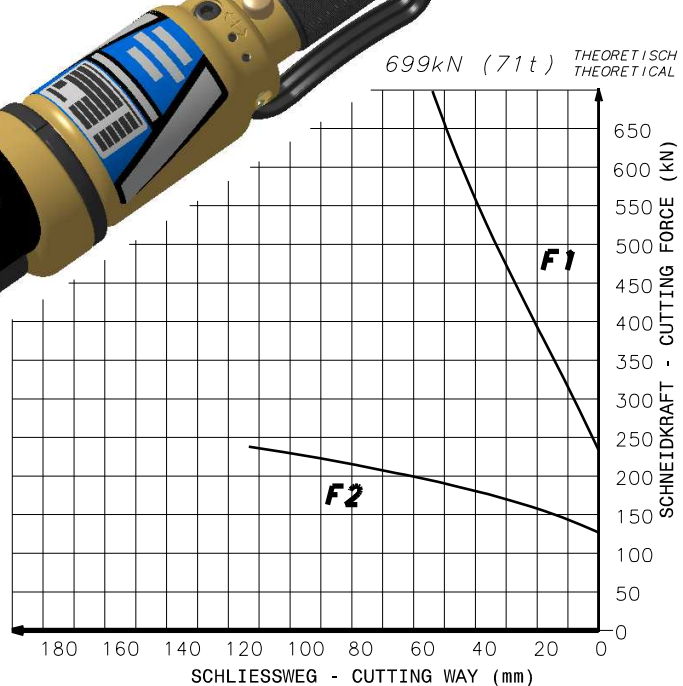
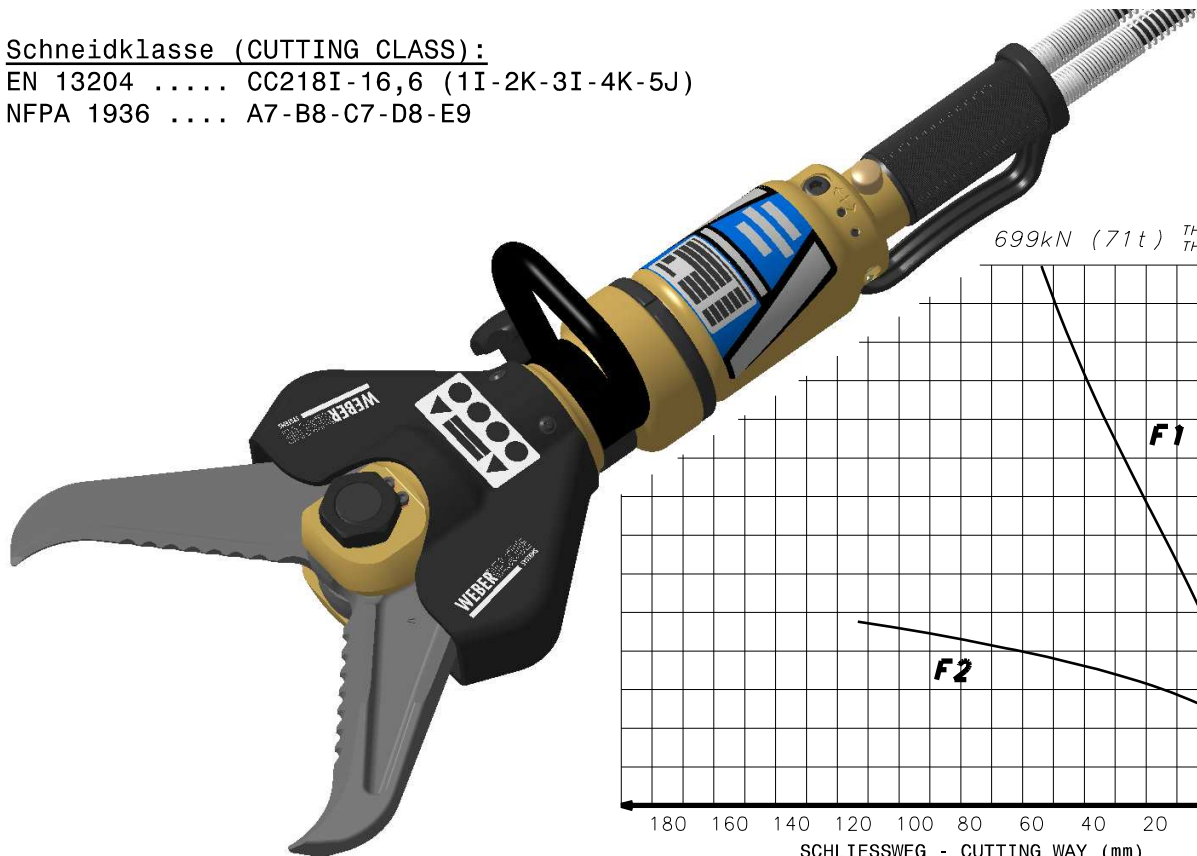
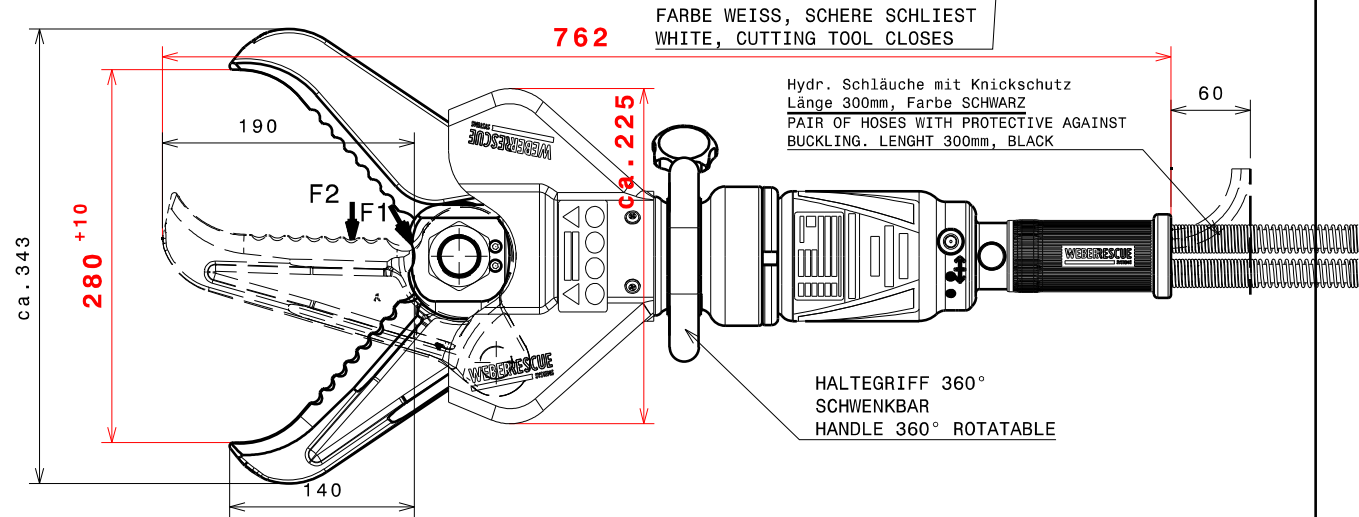
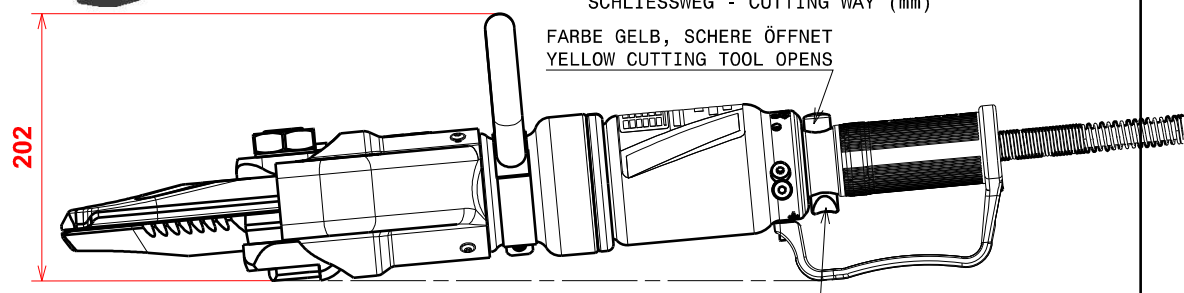


DIAGRAMM BEI 70MPa U. OHNE WIRKUNGSGRAD  
 DIAGRAM AT 70MPa AND WITHOUT EFFICIENCY



GEPR. JSC  
CHECK.

GEZ. KST  
DRAW. 09.02.16  
DAT.

KST  
15.02.17

GEAEND. MODIF.  
AEND.-DATUM  
MOD.-DATE

170100  
F

AEND.-NR.  
MOD.-NO.  
REVISION

TOLERANZEN (TOLERANCES)	LAENGENMASS (LENGHT)mm	...50	50...250	250...1000	1000...	WINKELMASS (ANGLE)	...180°
GEWICHT (WEIGHT) ±2%	TOLERANZ (TOLERANCE)mm	±1,5	±2,0	±3,0	±5,0	TOLERANZ (TOLERANCE)	±10°